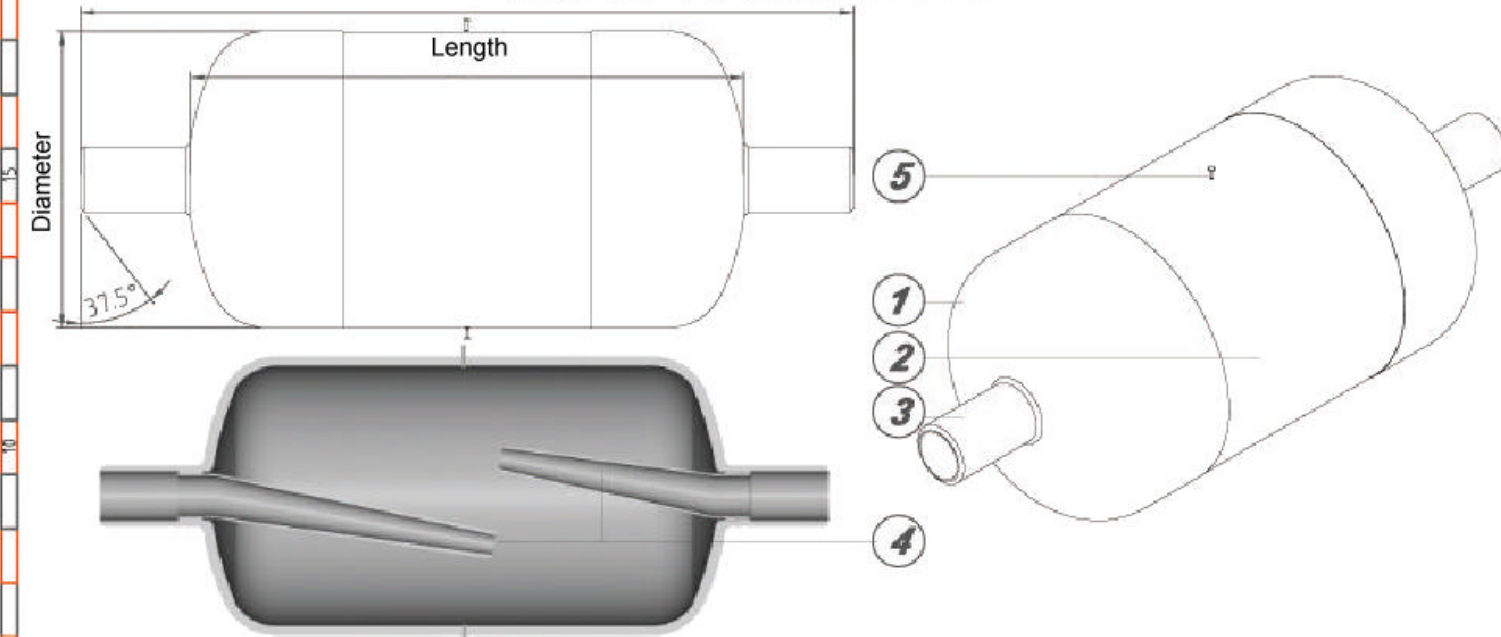


WaG-Ho-4 G WAVE GUARD



Scale: NTS	Date: 2/2006	WG #.
------------	--------------	-------

Part Nbr./Drawing Ref: WaG-Ho/4G/1000p/2"x 2"WNI 1/2" - 3/4" 316L	Rev Nbr
--	---------

PulseGuard <http://www.PulseGuard.com>
<http://www.PulseGuard.co.uk>

PulseGuard für Deutschland www.pulsationdaempfer.com

PulseGuard, de langue Française amortisseurs-des-pulsations.com

PulseGuard, en Español/ sud America amortiguador-de-pulsaciones.com

ПулсГард, для Русскоговорящих pulsations-dampfer.com

PulseGuard is the USA registered trade mark of Pulseguard Inc.
 PulseGuard is the UK registered trade mark of Pulseguard Ltd.

Item	Description	Material	Heat #
1	Cap	316L	
2	Body	316L	
3	Pipe	316L	
4	Nozzle(s)	316L	
5	Drain/Vent		